

Woltman Type Hot water Meter

FM-130

Salient Features:

- Extra Dry Dial.
- Superior insert suitable for very high temperature with performance & accuracy.
- Life of the meter is much higher than other bulk meters.
- Graded cast iron body to pass the strongest resistance tests in both static and dynamic conditions.
- Hermetically sealed register ensures that all internal parts clean and prevents fogging throughout the entire lifetime of the meter.
- Robust type body to pass the strongest resistance tests in both static and dynamic conditions.
- High quality engineered materials for hydraulics and register pivot ensure high reliability and durability.
- High performance magnetic transmission ensures no part of the register is in contact with water.
- Interchangeable spare parts for easy online maintenance
- High sensitivity, low pressure loss.

Conformity to Standards and Codes:

Design: ISO 4064

Meter Testing: ISO 4064 / OIML R-49

Size Range: 50mm (2") to 200mm (8")

Working Temperature Ratings:

- For hot < 130°C

Applications:

- Industrial use.
- Water supply networks.



FEDREL®

WATER & FLOW METERS

DOC.NO.VAV-1072; REV.NO.:00; REV.DATE: 24-10-2020

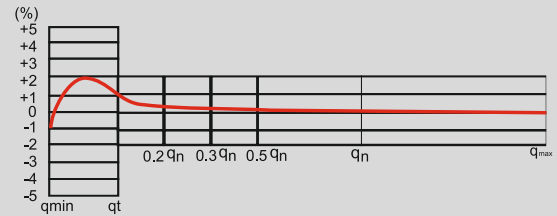


www.fedrelflowmeters.com

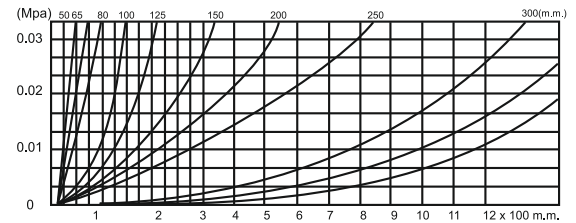
PERFORMANCE DATA

Meter size (mm)	Class	Q4 m ³ /h	Q3 m ³ /h	Q2 m ³ /h	Q1 m ³ /h	Min. Reading	Max. Reading
40	B	20	10	02	0.3	0.001	99999.9999
50	B	31.25	25	0.50	0.31	0.01	999999
65	B	50	40	0.80	0.50	0.01	999999
80	B	78.75	63	1.248	0.78	0.01	999999
100	B	125	100	1.92	1.2	0.01	999999
125	B	200	160	3.2	2.0	0.01	999999
150	B	312.5	250	4.8	3.0	0.1	9999999
200	B	500	400	8	4.5	0.1	9999999
250	B	787.5	630	12.8	8.0	0.1	9999999
300	B	1250	1000	19.2	12	1	9999999
400	B	2000	1600	32	20	1	9999999
500	B	3125	2500	48	30	1	9999999

ACCURACY CURVE

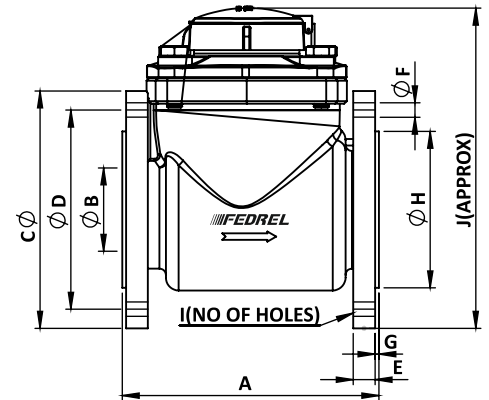


Head Loss Curve



DIMENSIONS

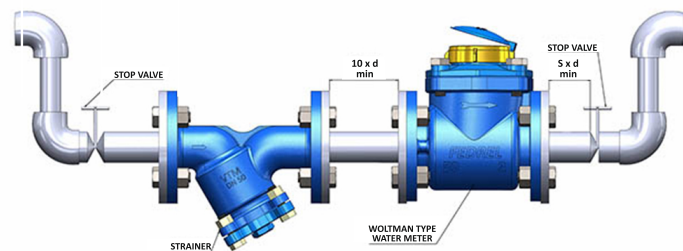
Size	A	B	C	D	E	F	G	H	I	J	Weight (Kg)
50	200	50	165	125	17	18	3	102	4	250	12
65	200	65	185	145	17	18	3	122	4	255	13
80	225	80	200	160	17	18	3	138	8	265	15
100	250	100	220	180	19	18	3	158	8	275	19
125	250	125	250	210	19	18	3	188	8	285	22
150	300	150	285	240	21	22	3	212	8	310	28
200	350	200	340	295	23	22	3	268	12	370	42



All Dimensions are in mm unless otherwise specified.

WARRANTY

All meters are warranted against any manufacturing defect for a period of 12 months from date of supply, provided the meter has not been misused, damaged, installed for services it is not recommended or the seal has been tampered with. The company shall be liable to furnish part/ parts thereof or full water meter as the company may deem fit.



d=nominal size of water meter
U-TYPE INSTALLATION

V.A. VALVES

(FLOW METERING DIVISION)

ISO 9001-2015 Certified

Regd. Office & Works: Udyog Nagar, Gadaipur
Industrial Zone, Jalandhar City -144 004

Phone: +91-181-2601540, 2601541 Fax: +91-181-2601741

E-mail : vavalves@vtm-utam.com, info@fedreflowmeters.com

Website : www.fedreflowmeters.com www.vtm-utam.com

Due to continuous development program, design and data in this leaflet are subject to change without prior notice.

Our associates:

